



Electric Tow Tractor

P120 – P350

Capacity 12 – 35 t | Series 5007-10

Powerful load handler

- Powerful electric motors for a high towing capacity of up to 35 tons at top speeds of up to 25 kilometers per hour
- High maneuverability for effortless control of the heaviest loads in narrow production halls and warehouses
- Operator's compartment decoupled from chassis and drive axle equipped with coil spring and damping system that protects from any vibrations
- Free choice between lead-acid batteries and lithium-ion batteries

TECHNICAL DATA (According to VDI 2198)

	Technical Data								
	1.1	Manufacturer		Linde	Linde	Linde	Linde	Linde	Linde
Characteristics	1.2	Model designation		P120 (VSWB)	P180 (VSWB)	P250 (SWB)	P250 (LWB)	P300 (LWB)	P350 (VLWB)
	1.3	Power unit		Electric	Electric	Electric	Electric	Electric	Electric
	1.4	Operation		Seat	Seat	Seat	Seat	Seat	Seat
	1.5	Load capacity	Q (kg)	300	300	300	300	300	300
	1.5.1	Towing capacity	Q (kg)	12000	18000	25000	25000	30000	35000
	1.7	Rated tractive force	F (N)	2400	3600	5000	5000	-	7000
	1.9	Wheelbase	y (mm)	1408	1408	1551	1906	1906	2156
Weights	2.1	Service weight incl. battery (with cabin)	(kg)	3883	3883	4450	5250	5250	6000
	2.2	Axle load with load, front/rear	(kg)	2079/2104	2079/2104	2900/1850	2928/2622	2928/2622	3220/3080
	2.3	Axle load without load, front/rear	(kg)	2010/1873	2010/1873	2780/1670	2808/2442	2808/2442	3150/2850
Wheels/Tyres	3.1	Tyres rubber, SE, pneumatic, polyurethane		Pneumatic/ Superelastic	Pneumatic/ Superelastic	Pneumatic/ Superelastic	Pneumatic/ Superelastic	Pneumatic/ Superelastic	Pneumatic/ Superelastic
	3.2	Tyre size, front		6.00 R 9	6.00 R 9	6.00 R 9	6.00 R 9	6.00 R 9	6.00 R 9
	3.3	Tyre size, rear		7.00 R 12	7.00 R 12	7.00 R 12	7.00 R 12	7.00 R 12	7.00 R 12
	3.5	Wheels number front/rear (x = driven)		2/2x	2/2x	2/2x	2/2x	2/2x	2/2x
	3.6	Track width, front	b10 (mm)	1102/1120	1102/1120	1102/1120	1102/1120	1102/1120	1102/1120
	3.7	Track width, rear	b11 (mm)	1060	1060	1060	1060	1060	1060
Dimensions	4.7	Height of overhead guard (cabin)	h6 (mm)	1950	1950	1950	1950	1950	1950
	4.8	Height of seat/stand-on platform	h7 (mm)	907	907	907	907	907	907
	4.12	Towing coupling height	h10 (mm)	270, 330, 380, 440*	270, 330, 380, 440*	270, 330, 380, 440*	345*	345*	345*
	4.13	Platform height, unladen	h11 (mm)	1060	1060	1060	1060	1060	1060
	4.16	Loading platform, length	l3 (mm)	1396	1396	1540	1895	1895	2145
	4.17	Rear overhang (Cabin/rear)	l5.1 l5 (mm)	1055/624	1055/624	1055/624	1055/707	1055/707	1055/707
	4.18	Loading platform, width	b9 (mm)	1056 - 1176	1056 - 1176	1056 - 1176	1056 - 1176	1056 - 1176	1056 - 1176
	4.19	Overall length	l1 (mm)	3086	3086	3230	3668	3668	3918
	4.21	Overall width	b1 (mm)	1310	1310	1310	1310	1310	1310
	4.32	Ground clearance, centre of wheelbase (front)	m2 (mm)	150	150	150	150	150	150
	4.34	Aisle width (without safety distance)	Ast (mm)	4500	4500	4696	5230	5230	5603
	4.35	Turning radius (front/rear)	Waf/War (mm)	2737/1563	2737/1563	2884/1612	3280/1750	3280/1750	3539/1864
4.36	Minimum pivoting point distance	b13 (mm)	881	881	931	1071	1071	1187	
Performance	5.1	Travel speed, with/without load	(km/h)	15/22	17/23	18/25	20/25	20/25	20/25
	5.5	Tractive force, with/without load	(N)	2400	3600	5000	5000	-	-
	5.6	Maximum tractive force, with/without load	(N)	12000	15000	18000	18000	20000	21500
	5.7	Climbing ability, with/without load	(%)	See towing diagram	See towing diagram	See towing diagram	See towing diagram	See towing diagram	See towing diagram
	5.8	Maximum climbing ability, with/without load	(%)	See towing diagram	See towing diagram	See towing diagram	See towing diagram	See towing diagram	See towing diagram
	5.10	Service brake		Electric/hydraulic	Electric/hydraulic	Electric/hydraulic	Electric/hydraulic	Electric/hydraulic	Electric/hydraulic
E-Motor	6.1	Drive motor, 60 minute rating	(kW)	2 × 10.5 KW	2 × 10.5 KW	2 × 10.5 KW	2 × 10.5 KW	2 × 10.5 KW	2 × 10.5 KW
	6.3	Battery according to DIN 43531/35/36 A, B, C, no		43536 A	43536 A	43536 A	43536 A	43536 A	43536 A
	6.4	Battery voltage	U (V)	80	80	80	80	80	80
	6.4.1	Battery capacity	KS (Ah)	420/465	420/465	500/620	700/930	700/930	1240
	6.5	Battery weight	(kg)	1238	1238	1210/1558	1863/2178	1863/2178	2785
	6.6	Power consumption according to EN16796	(kWh/h)	5.82	6.79	7.76	8.73	9.69	10.66
Others	8.4	Noise level at operator's ear	(dB(A))	62	62	62	62	62	62
	8.5	Towing coupling, design/type, DIN		Rockinger 244	Rockinger 244	Rockinger 244	Typ HSM 2140	Typ HSM 2140	Typ HSM 2140

* with Ro 244

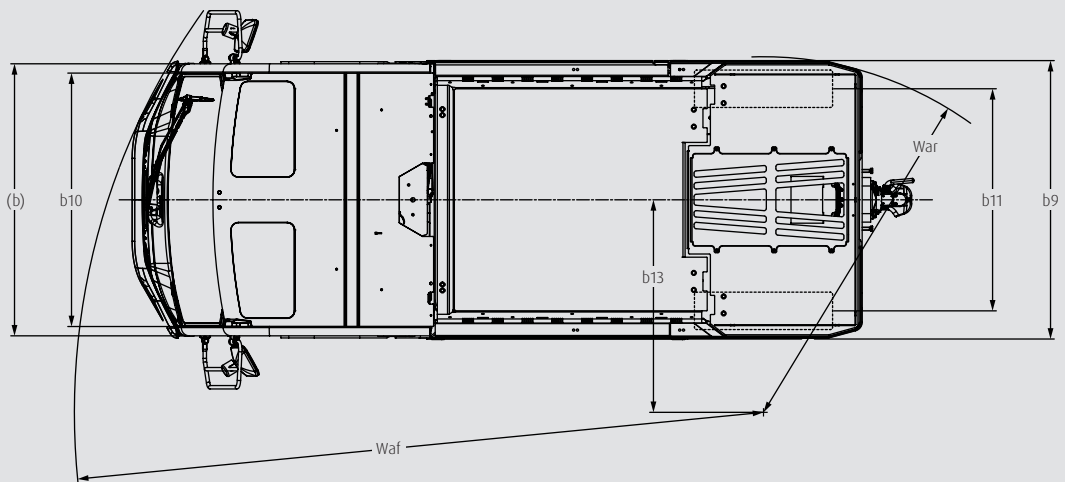
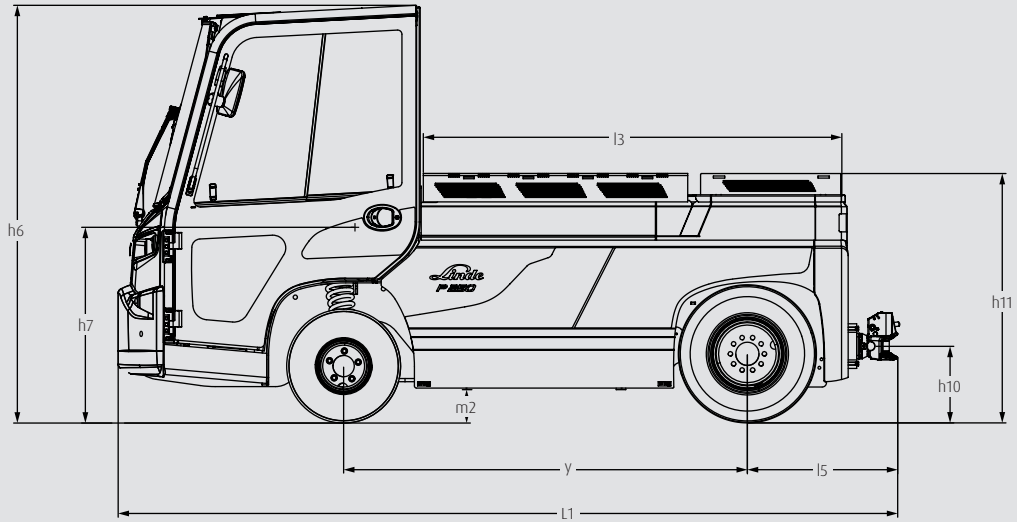
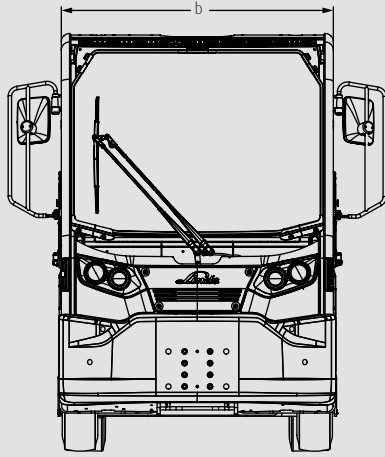
* with Ro 244

* with Ro 244

* with HSM 2140

* with HSM 2140

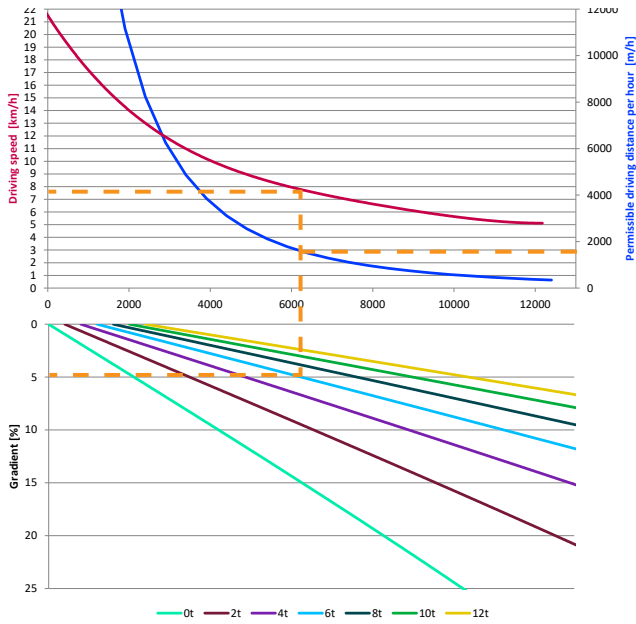
* with HSM 2140





TOW DIAGRAMS

P120

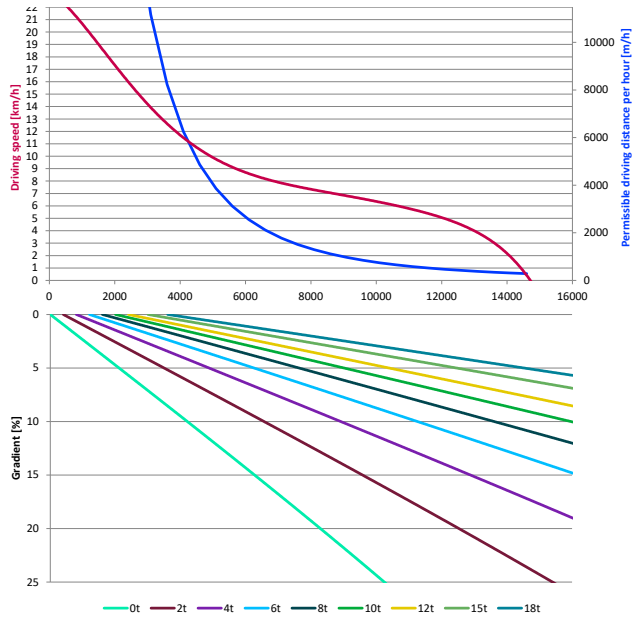


— Permissible driving distance per hour (m/h)
 — Driving speed (km/h)

The example shown illustrates a tractor transporting 6 t operating on a ramp of 5 % maximum travelling speed reachable 8 km/h to a maximum travel distance per hour of 1.8 km/h (1800 m*)

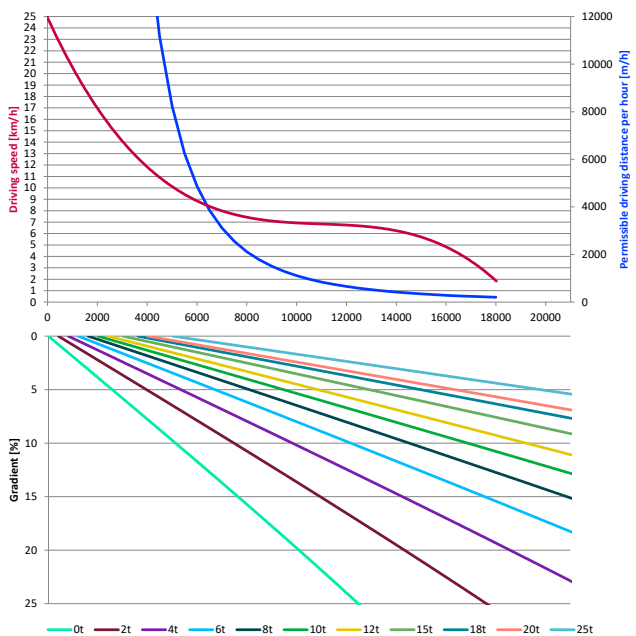
* depends on created heat while in application

P180



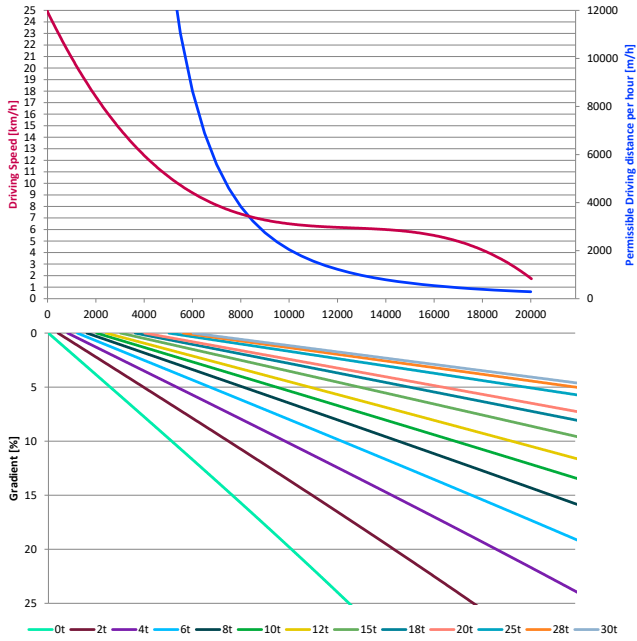
— Permissible driving distance per hour (m/h)
 — Driving speed (km/h)

P250



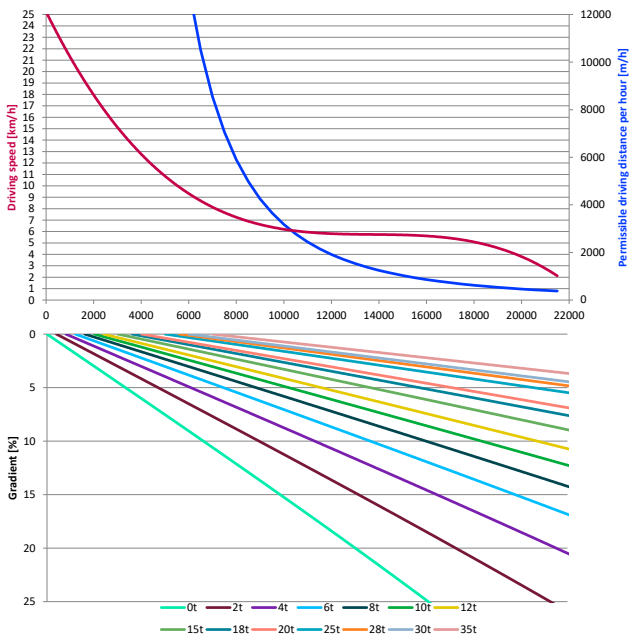
— Permissible driving distance per hour (m/h)
 — Driving speed (km/h)

P300



— Permissible driving distance per hour (m/h)
 — Driving speed (km/h)

P350



— Permissible driving distance per hour (m/h)
 — Driving speed (km/h)

Unbraked trailer load recommendation

	P120 SWB	P180 SWB	P250 LWB	P350 VLWB
Maximum recommended unbraked trailer load	4 to	7 to	10 to	12 to

STANDARD AND OPTIONAL EQUIPMENT

Model/Equipment		P120 (VSWB)	P180 (VSWB)	P250 (SWB)	P250 (LWB)	P300 (LWB)	P350 (VLWB)
Safety	Chassis protection	○	○	○	○	○	○
	Gradient assist	●	●	●	●	●	●
	Automatic speed reduction when cornering	○	○	○	○	○	○
	Safety belt	○	○	○	○	○	○
	Linde BlueSpot™	○	○	○	○	○	○
	Flashing/Rotating Beacon on/below overhead guard	○	○	○	○	○	○
	Additional emergency buttons located in the rear part	●	●	●	●	●	●
	Key switch	●	●	●	●	●	●
	Log in PIN code	○	○	○	○	○	○
Operation / Load Handling	Inching control	●	●	●	●	●	●
	Load platform lighting	○	○	○	○	○	○
	Reversing camera	○	○	○	○	○	○
	Speed reduced if deep discharge	●	●	●	●	●	●
	External rear-view mirrors	○	○	○	○	○	○
	Telescopic rear-view mirrors	○	○	○	○	○	○
Digitalisation	Linde connect: desk	○	○	○	○	○	○
	ac: access control (PIN or RFID)	○	○	○	○	○	○
	dt: crash detection	○	○	○	○	○	○
	Linde connect: cloud	○	○	○	○	○	○
	Data Transmission (WiFi or Online)	○	○	○	○	○	○
Workplace	Suspended Cabin	●	●	●	●	●	●
	Steering wheel with knob	○	○	○	○	○	○
	Air conditioning	○	○	○	○	○	○
	Heating	○	○	○	○	○	○
	Multifunction coloured display with hour meter, maintenance indication, battery discharge indicator, internal fault code indication, selected drive direction and actual steering wheel position	●	●	●	●	●	●
	Radio	○	○	○	○	○	○
	Electrical socket and USB-connection	○	○	○	○	○	○
	Sun visor	○	○	○	○	○	○
	Support clipboard DIN A4	○	○	○	○	○	○
Attachment / Forks	Lighting for rear towing attachment	○	○	○	○	○	○
	Electric. socket 12 V (13-pole)	○	○	○	○	○	○
Axles and Tyres	Tyre Conti. RV20	●	●	●	●	●	–
	SE-SIT Continental	○	○	○	○	○	○
	SE-SIT non marking	○	○	○	○	○	○
Drive and Brake-system	Onboard charger	○	○	○	○	○	○
	Lateral battery change option	●	●	●	●	●	●
	Vertical battery change option	○	○	○	○	○	–
	Battery 3 PzS 420 – 465 Ah	●	●	–	–	–	–
	Battery 4 PzS 560 – 620 Ah	–	–	●	–	–	–
	Battery 5 PzS 700 – 775 Ah	–	–	–	●	●	–
	Battery 6 PzS 840 – 930 Ah	–	–	–	○	○	○
	Battery 8 PzS 1120 – 1240 Ah	–	–	–	–	–	●
Service	CAN bus technology	●	●	●	●	●	●
	Free maintenance braking system	●	●	●	●	●	●

● Standard equipment ○ Optional equipment – Not available

CHARACTERISTICS



Operator and passenger seat belt

Safety

- Automatic parking brake for preventing the vehicle from rolling unintentionally on slopes
- Constant speed even on ramps for consistent performance
- Robust cabin and windshield bars for protecting the driver
- Electrically monitored cabin doors for safe driving
- Door locked sensor to make sure operators drive safely inside the cabin
- Linde curve assist reducing speed when cornering



Door net storage compartment

Ergonomics

- Spacious damped cabin for increased driving comfort
- Optimum all-round visibility for maximum maneuverability in confined spaces
- Storage compartments and nets for sufficient storage space in everyday work
- Optional sliding doors for easy access and less damage
- Easy adjustable steering column
- Curved front screen ensures excellent maneuverability



Lateral battery change

Handling

- High handling performance thanks to powerful electric motors and constant speed on steep ramps
- Smooth, precise steering for easy maneuverability in tight spaces
- Small turning angle for all the models
- Inching control as standard
- Front and rear towing attachment



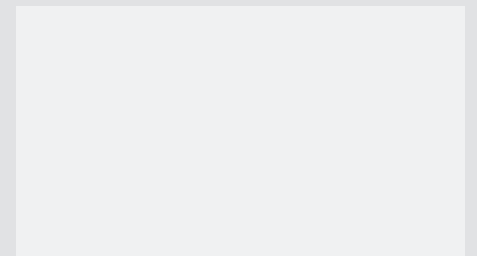
Coil spring and maintenance free braking system

Service

- Easily accessible service components for efficient maintenance and repair
- Maintenance-free multi-disc brake for maximum vehicle availability
- Lateral or vertical battery change for fast replacement (only lateral for P350)
- Easily replaceable windshield for fast reparations

Subject to modification in the interest of progress. Illustrations and technical details could include options and not binding for actual constructions. All dimensions subject to usual tolerances.

Presented by:



Linde Material Handling GmbH

Carl-von-Linde-Platz | 63743 Aschaffenburg | Germany
Phone + 49 6021 99 0 | Fax + 49 6021 99 1570
www.linde-mh.com | info@linde-mh.com

Printed in Germany | DS_P120-P350_5007-10_en_C_0322